

EXACT

DIMENSIONS

Length: 400–2 000 mm by 100 mm, 2 000–6 000 mm by 200 mm

Height: 70, 140, 210, 280 mm

Convector types and depths are listed in the table below.

SPECIFICATIONS

Connection: 4xG1/2" inner (2xG1/2" H=70 mm, 6xG1/2" connection E, F)

Max. operating overpressure: 0,6 MPa (standard) or 1,0 MPa (per order)

Max. operating temperature: 110 °C

Heating system: double pipe with induced circulation

Ambient conditions: +2 to 45 °C, at relative humidity 20–70 %



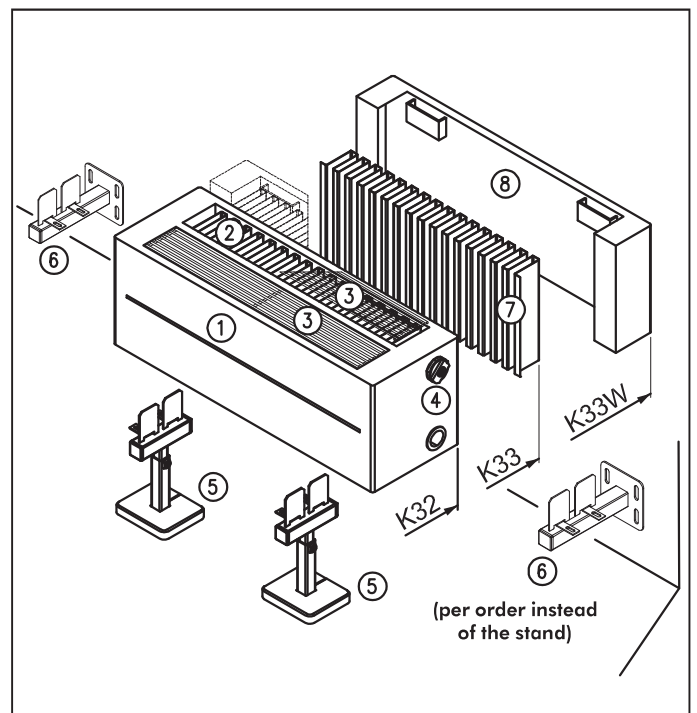
CONVECTOR TYPES AND DEPTHS

<p>K21 B=72 mm</p>	<p>K32 B=133 mm</p>	<p>K43 B=194 mm</p>	<p>K54 B=255 mm</p>	<p>Steel convector with lamellar radiating surfaces and inner interchange fins.</p> <p>Installation: interior by the wall by the window</p>
<p>K22 B=111 mm</p>	<p>K33 B=172 mm</p>	<p>K44 B=233 mm</p>	<p>K55 B=294 mm</p>	<p>Steel convector with lamellar radiating surfaces and inner and outer interchange fins.</p> <p>Installation: by the wall by the window</p>
<p>K22W B=133 mm</p>	<p>K33W B=194 mm</p>	<p>K44W B=255 mm</p>	<p>K55W B=316 mm</p>	<p>Steel convector with lamellar radiating surfaces and inner and outer interchange fins and rear shield.</p> <p>Installation: by the windows (prevents radiation losses in window surface)</p>

BASIC DESIGN

- Colour:** white RAL 9016, other colours according to colour chart
- Grill:** upper wire grill
- Mounting:** stands with plastic covers or wall mounting brackets per order (instead of stands)
- Connection:** 2xG1/2"+1xG3/8" for H = 70 mm (2 pcs. cap, air-relief valve G3/8")
 4xG1/2" for v = 140, 210, 280 mm (3 pcs. cap + 1 pcs. of air-relief valve)
 6xG1/2" in design E, F (5 pcs. cap + 1 pcs. of air-relief valve)

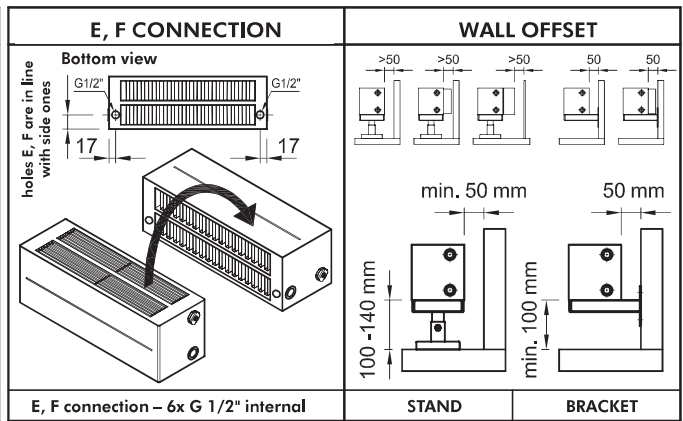
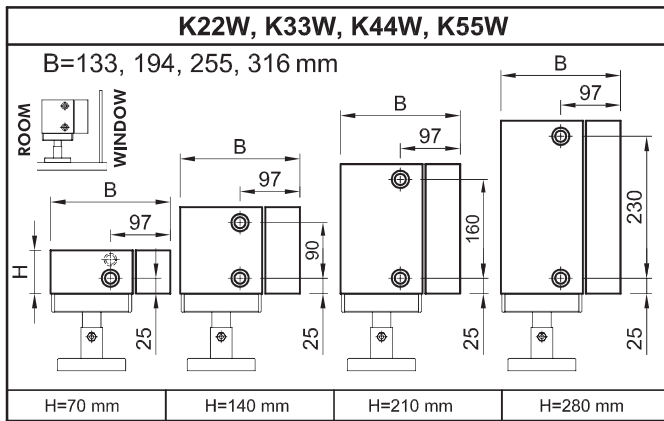
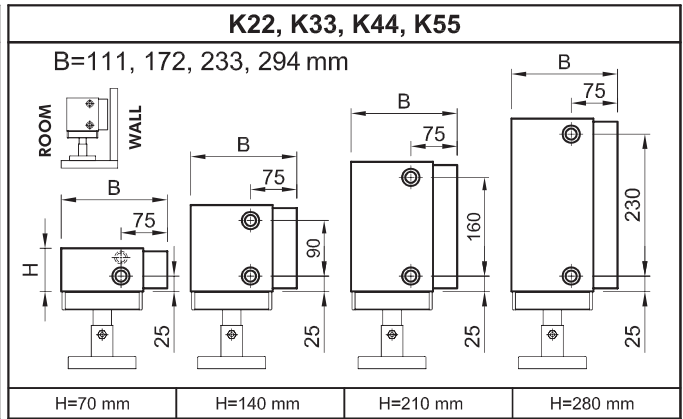
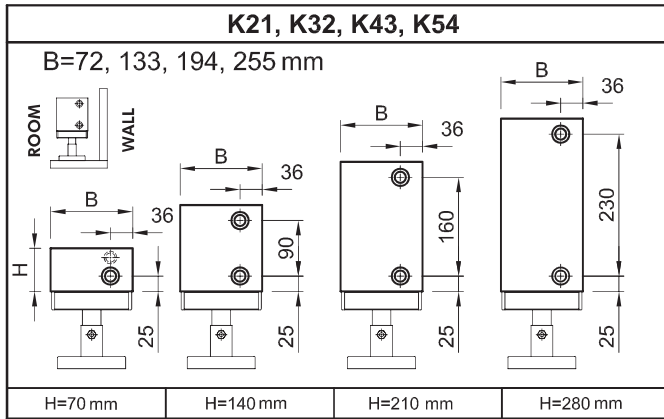
CONVECTOR BASIC EQUIPMENT



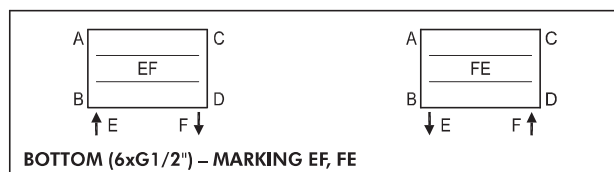
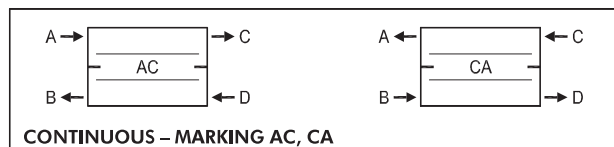
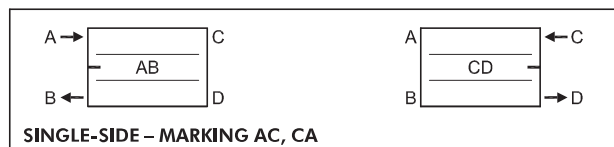
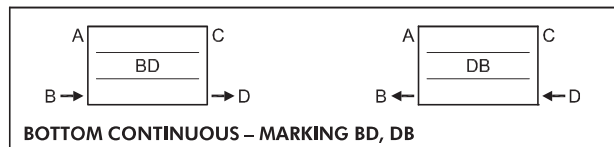
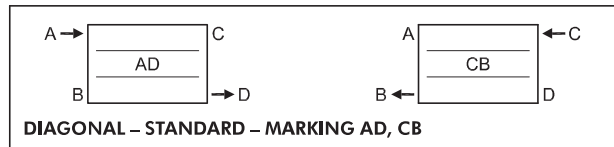
- Lamellar radiating surface
- Inner interchange fins
- Upper grill
- Air-relief valve
- Stand with plastic cover or wall-mounting bracket
- Wall-mounting bracket (per order instead of the stand)
- Outer interchange fins
- Rear shield

RADIANT CONVECTORS

CONVECTOR CONNECTION DIMENSIONS



CONNECTION OPTIONS



CONVECTOR DESIGN OPTIONS

Connection: 4xG3/4" (3 pcs. - cap, 1x air-relief valve G3/4")
 Max. operating overpressure: 1 MPa (10 bar)
 Intermediate length: e.g. 2100 mm (price as for 2200 mm length)
 Colour: according to colour chart
 Wall brackets: instead of stand

CODING

1.	2.	3.	4.	5.	6.	7.	8.	9.	10.	11.	12.	13.	14.	15.	16.	17.
K	2	2	W	0	2	1	0	2	6	0	0	A	B	0	1	A
TYPE		HEIGHT			LENGTH			CONNECT.		COLOUR		ATYP.				

SINGLE POSITION OPTIONS

- 1, 2, 3, 4 K21-, K32-, K43-, K54-, K22-, K33-, K44, K55-K22W, K33W, K44W, K55W
- 5, 6, 7, 8 convector height 0070, 0140, 0210, 0280 mm
- 9,10,11,12 convector length 0400, 0500,, 2000 by 100 mm, 2200, 2400,, 6000 by 200 mm
- 13, 14 AD, CB, BD, DB, AB, CD, AC, CA, EF, FE
- 15, 16 according to colour chart
- 17 – standard connection
 A atypical design
 X design 1 MPa (10 bar)
 T design 1MPa (10 bar) + typical design

Note: list selected convector modifications behind the code (e.g. thread 3/4", wall brackets, without grill, ...)

ORDER EXAMPLE

- **K22-00701900AD01** Standard steel convector in design K22 with grill, height 70 mm, length 1 900 mm, colour 01 – RAL 9016, bottom stands with plastic cover
- **K22-00702300AC15T, G3/4", wall mounting bracket**, steel convector in design K22, height 70 mm, intermediate length 2 300 mm, colour 15 – RAL 6034, max. overpressure 10 bar, internal design AC, connection G3/4" inner, wall brackets