



Description

The **RADIK CLEAN VK** model is a steel panel radiator in the VENTIL KOMPAKT version, which allows for **bottom right connection** to the heating system. It is designed for pressurised heating systems.

It is intended for installation and operation in rooms with high demands on hygiene and cleanliness. All types are supplied without convector fins, grilles and side covers.

Two upper and two lower fixing hangers are welded to the back, radiators 1800 mm in length or longer have six fixing hangers welded to the back. Basic equipment includes air vent and blanking plug.

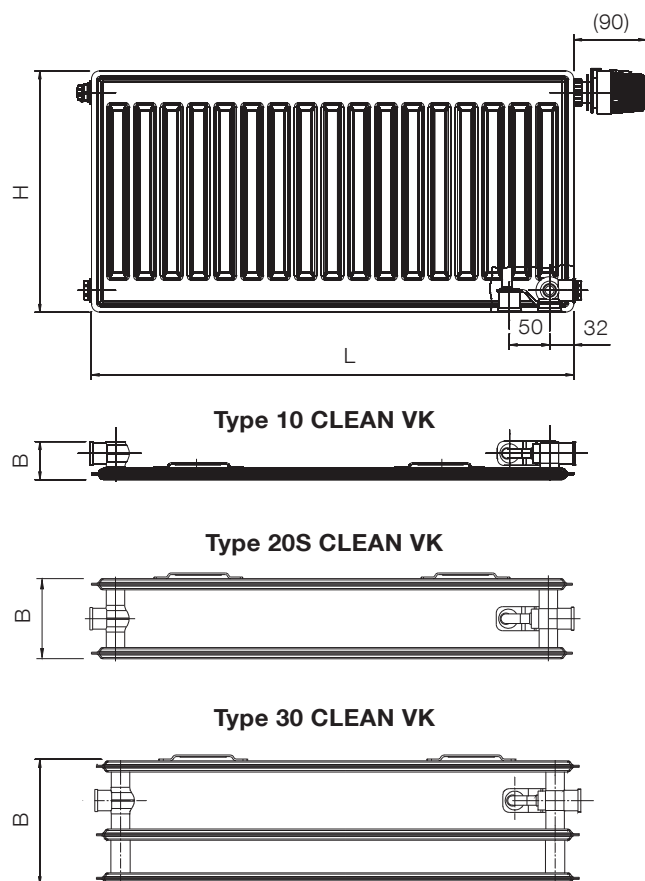
Note:

The RADIK CLEAN VK type 10 and RADIK VK type 10 radiators are identical.

Technical data

Height H	300, 400, 500, 600, 700, 900 mm
Length L	400, 500, 600, 700, 800, 900, 1000, 1100, 1200, 1400, 1600, 1800, 2000 mm
Depth B	
Type 10 CLEAN VK	47 mm
Type 20S CLEAN VK	100 mm
Type 30 CLEAN VK	155 mm
Connecting pitch	50 mm
Connecting thread	6 x G1/2 inside
Highest allowed working pressure	10 bar
Highest allowed working temperature	110 °C
Radiator connection	right bottom

Overview of types



Examples of connection to the heating system

