

RADIK CLEAN



Description

The **RADIK CLEAN** model is a steel panel radiator in the **KLASIK** version, which allows for **left or right side connection** to the heating system. It is designed for pressurised heating systems or those with gravity circulation. It is intended for installation and operation in rooms with high demands on hygiene and cleanliness. All types are supplied without convector fins, grilles and side covers.

Two upper and two lower fixing hangers are welded to the back, radiators 1800 mm in length or longer have six fixing hangers welded to the back. Basic equipment includes an air vent and blanking plug.

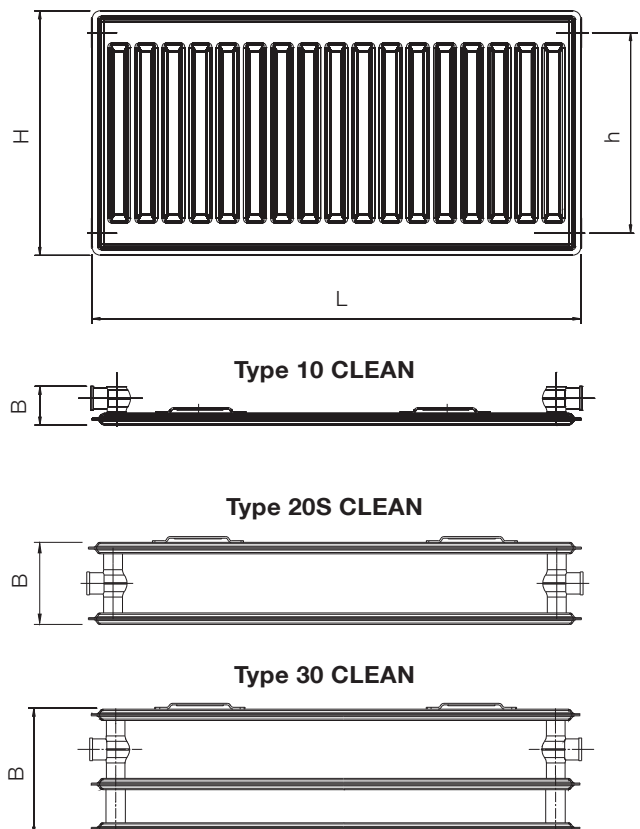
Note:

The RADIK CLEAN type 10 and RADIK KLASIK type 10 radiators are identical.

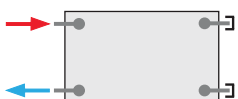
Technical data

Height H	300, 400, 500, 600, 700, 900 mm
Length L	400, 500, 600, 700, 800, 900, 1000, 1100, 1200, 1400, 1600, 1800, 2000 mm
Depth B	
Type 10 CLEAN	47 mm
Type 20S CLEAN	100 mm
Type 30 CLEAN	155 mm
Connecting pitch	$h = H - 54$ mm
Connecting thread	4 x G1/2 inside
Highest allowed working pressure	10 bar
Highest allowed working temperature	110 °C
Radiator connection	left or right side

Overview of types



Examples of connection to the heating system



side - one side
 $\varphi = 1$



side - two sides diagonal
 $\varphi = 1$
recommended for: $L \geq 3 \times H$



side - two sides direct
 $\varphi = 0,9$

Guidelines for ordering are described on page 73.

The company reserves the right to make technical changes.