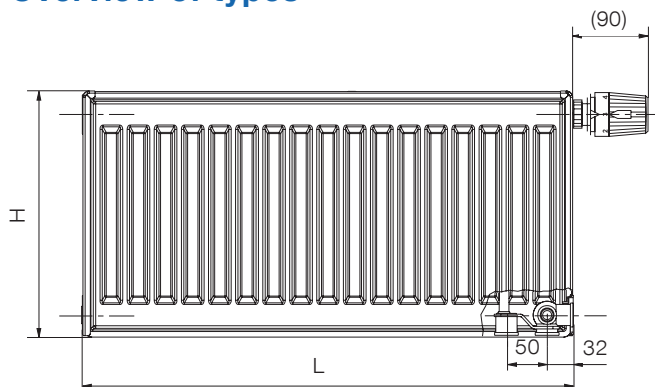




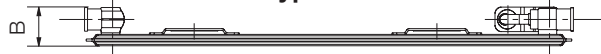
Description

RADIK VK model is a steel panel radiator in VENTIL KOMPAKT version which allows **right bottom connection** to a pressure fed heating system. Two upper and lower hangers are welded onto the back. Radiators 1800 mm and longer have six hangers.

Overview of types



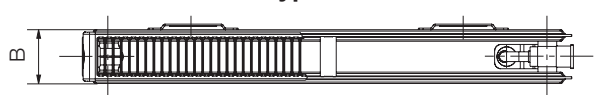
Type 10 VK



Type 11 VK



Type 20 VK



Type 21 VK



Type 22 VK



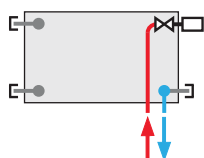
Type 33 VK



Technical data

Height H	300, 400, 500, 600, 700, 900 mm
Length L	400, 500, 600, 700, 800, 900, 1000, 1100, 1200, 1400, 1600, 1800, 2000, 2300, 2600, 3000 mm
Depth B	
Type 10 VK	47 mm
Type 11 VK	63 mm
Type 20 VK	66 mm
Type 21 VK	66 mm
Type 22 VK	100 mm
Type 33 VK	155 mm
Connecting pitch	50 mm
Connecting thread	6 x G1/2 inside
Highest allowed working pressure	10 bar
Highest allowed working temperature	110 °C
Radiator connection	right bottom

Examples of connection to the heating system



right bottom
 $\varphi = 1$