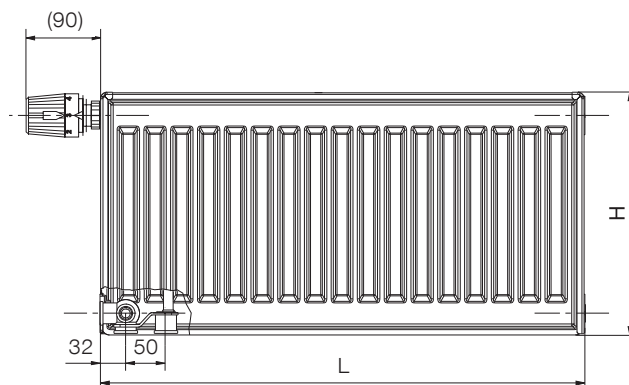




Description

RADIK VKL model is a steel panel radiator in VENTIL KOMPAKT version which allows **left bottom connection** to a heating system which is pressure fed. Two upper and lower hangers are welded onto the back. Radiators 1800 mm and longer have six hangers.

Overview of types



Technical data

Height H	300, 400, 500, 600, 700, 900 mm
Length L	400, 500, 600, 700, 800, 900, 1000, 1100, 1200, 1400, 1600, 1800, 2000, 2300, 2600, 3000 mm
Depth B	
Type 10 VKL	47 mm
Type 11 VKL	63 mm
Type 21 VKL	66 mm
Type 22 VKL	100 mm
Type 33 VKL	155 mm
Connecting pitch	50 mm
Connecting thread	6 x G1/2 inside
Highest allowed working pressure	10 bar
Highest allowed working temperature	110 °C
Radiator connection	left bottom



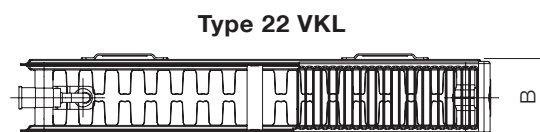
Type 10 VKL



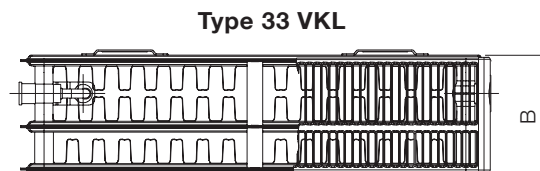
Type 11 VKL



Type 21 VKL

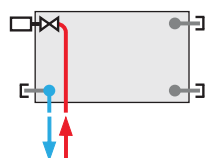


Type 22 VKL



Type 33 VKL

Examples of connection to the heating system



left bottom
 $\varphi = 1$